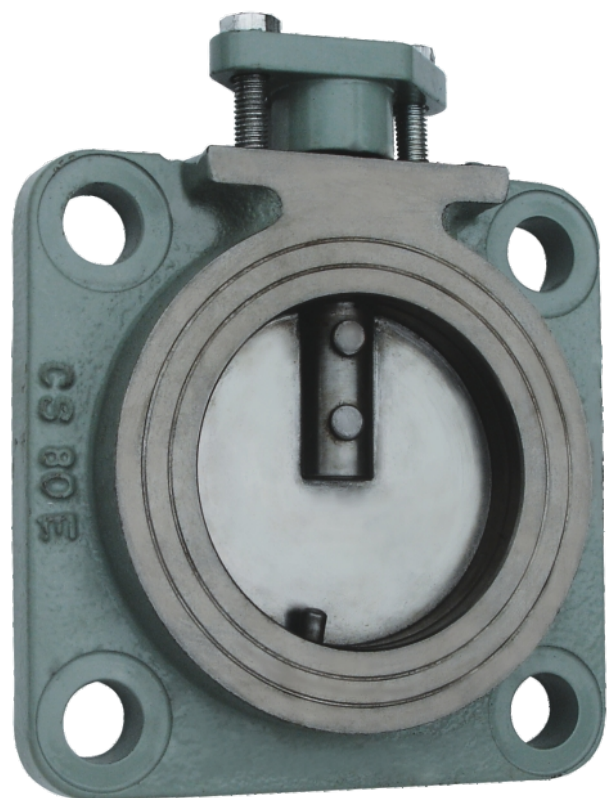


RADIATOR VALVE FOR OIL FILLED TRANSFORMER

Size 80 & 100 mm Model 510 To 530



WITH GROOVED FLANGE
80 mm : MODEL - 510
100 mm : MODEL - 530



WITH PLAIN FLANGE
80 mm : MODEL - 520

FEATURES

- Graded cast iron body to FG260 of IS210.
- All machining and drilling by CNC machines in close tolerance.
- Testing standards and specification exceed CBIP standards and specifications of reputed transformer manufacturers.
- 100% valves tested for porosity and leakage.
- All valves are powder coated to provide complete surface protection for all weather conditions.
- No leakage from top spindle even without the protective cap.
- Protective cap will fit the valve top only when arrow shows the correct open / close position.

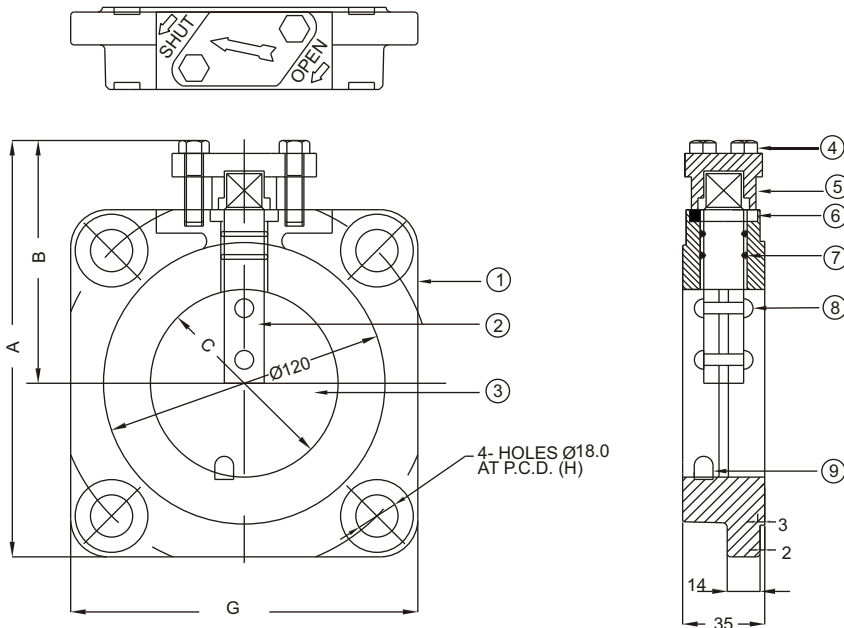


IN SERVICE TO THE TRANSFORMER INDUSTRY SINCE 1971



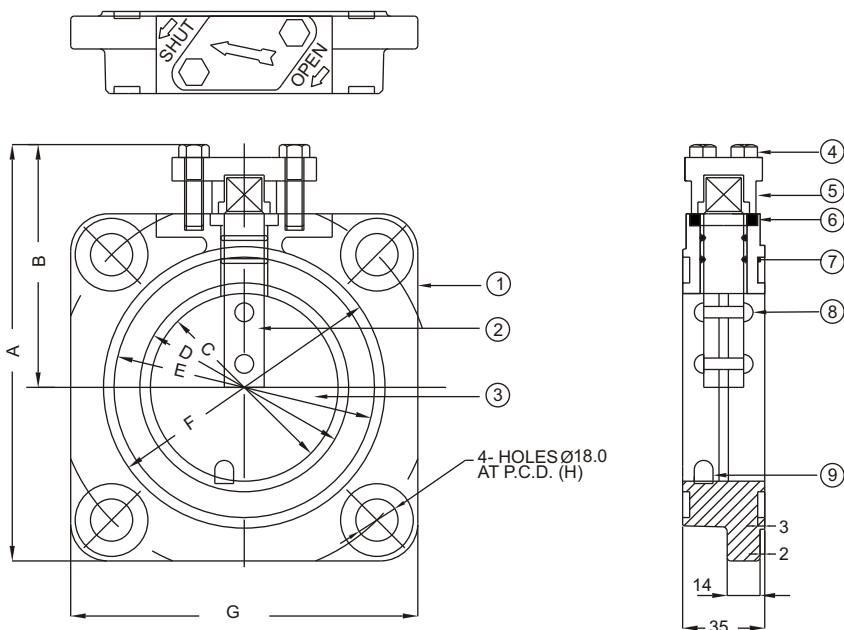
ISO 9001:2000

WITH PLAIN FLANGE - 520



Part No.	Description	Material Specification
1	Valve Body	Grey Cast Iron IS-210 FG260
2	Spindle	MS - IS:9550
3	Flap	MS (Fe-410-WA to IS:2062)
4	Bolt	MS Zinc Plated
5	Cap	Aluminium
6	Gasket	Nitrile Rubber
7	'O' Ring	Nitrile Rubber
8	Rivet	MS - IS:9550
9	Flat Stopper Pin	MS - IS:9550

WITH GROOVED FLANGE - 510 & 530



LEAK TEST : With Oil Pressure Of 1.5 Kg/sq.cm :		
A.	Leakage Through Valve Body	Nil
B.	Leakage Around Diaphragm	Max. 6 Drops/min.
C.	Leakage Around Top Spindle With Or Without Cap	Nil

POROSITY TEST : With Oil Pressure Of 5 Kg/sq.cm :
No oil leakage or sweating through the body or spindle assembly.

DIMENSIONS IN MM									
Size	Type	A	B	C (Ø)	D (Ø)	E (Ø)	F (Ø)	G (Ø)	H (PCD)
80	510	183	108	80	89	111	120	150	160
80	520	183	108	80	NA	NA	120	150	160
100	530	210	120	95	105	136	145	178	180

Due to our policy of continuous product improvement, dimensions and design are subject to change.



689, Block 'O', New Alipore, Kolkata - 700 053, INDIA

Phones: (91-33) 24001101, 24009885 ● Fax: (91-33) 24007443, 24007043 ● E-mail: sales@atvus.in ● Website: www.atvus.in