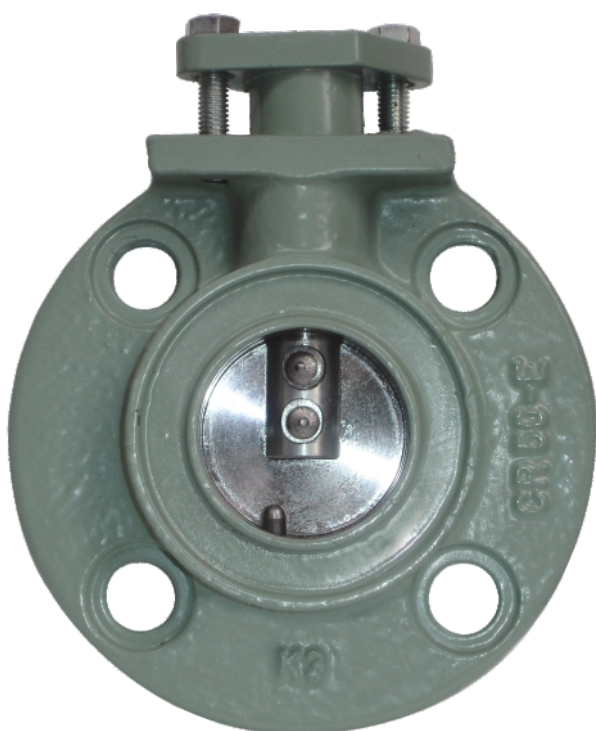


THROTTLE VALVE FOR TRANSFORMER RADIATORS

Model 540 To 590

Size 50 mm to 250 mm



MODEL - 540 SIZE - 50 MM



MODEL - 560 SIZE - 100 MM

FEATURES

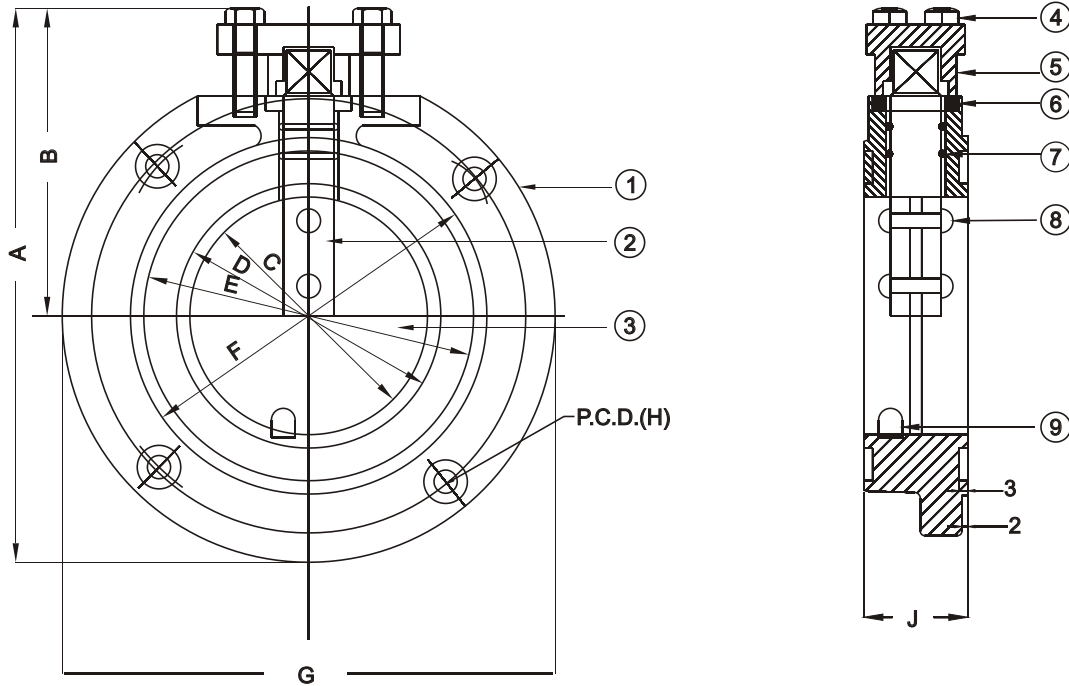
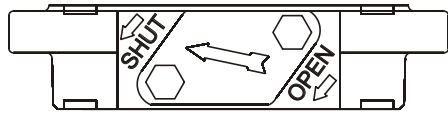
- Graded cast iron body to FG260 of IS210.
- All machining and drilling by CNC machines in close tolerance.
- Testing standards and specification exceed CBIP standards and specifications of reputed transformer manufacturers.
- 100% valves tested for porosity and leakage.
- All valves are powder coated to provide complete surface protection for all weather conditions.
- No leakage from top spindle even without the protective cap.
- Protective cap will fit the valve top only when arrow shows the correct open / close position.



IN SERVICE TO THE TRANSFORMER INDUSTRY SINCE 1971



ISO 9001:2000



Part No.	Description	Material Specification
1	Valve Body	Grey Cast Iron IS-210 FG260
2	Spindle	Mild Steel - IS:9550
3	Flap	Mild Steel (Fe-410-WA to IS:2062)
4	Bolt	Mild Steel Zinc Plated
5	Cap	Aluminium
6	Gasket	NBR
7	'O' Ring	NBR
8	Rivet	Mild Steel - IS:9550
9	Flap Stopper Pin	Mild Steel - IS:9550

POROSITY TEST : With Oil Pressure Of 5 Kg/sq.cm :
No oil leakage or sweating through the body or spindle assembly.

DIMENSIONS IN MM													
Size	Type	A	B	C (Ø)	D (Ø)	E (Ø)	F (Ø)	G (Ø)	H (PCD)	I	Y	J	NET WT. (KG)
50	540	180	105	51	57	81	85	150	115	18	4	35	3.1
80	550	206	115	75	83	107	113	183	145	18	4	35	4.2
100	560	235	128	95	105	136	145	214	180	18	4	35	5.7
150	570	325	185	150	160	190	198	285	240	23	8	40	9.0
200	580	374	206	192	202	242	250	340	295	23	8	40	12.0
250	590	415	217	250	260	292	300	395	350	23	12	45	17.5

LEAK TEST : With Oil Pressure Of 1.5 Kg/sq.cm :		
A.	Leakage Through Valve Body	Nil
B.	Leakage Around Diaphragm Upto 100 mm For 150, 200 & 250 mm	Max. 6 Drops/min. Max. 6 ml/min.
C.	Leakage Around Top Spindle With Or Without Cap	Nil

Due to our policy of continuous product improvement, dimensions and design are subject to change.



689, Block 'O', New Alipore, Kolkata - 700 053, INDIA

Phones: (91-33) 24001101, 24009885 • Fax: (91-33) 24007443, 24007043 • E-mail: sales@atvus.in • Website: www.atvus.in